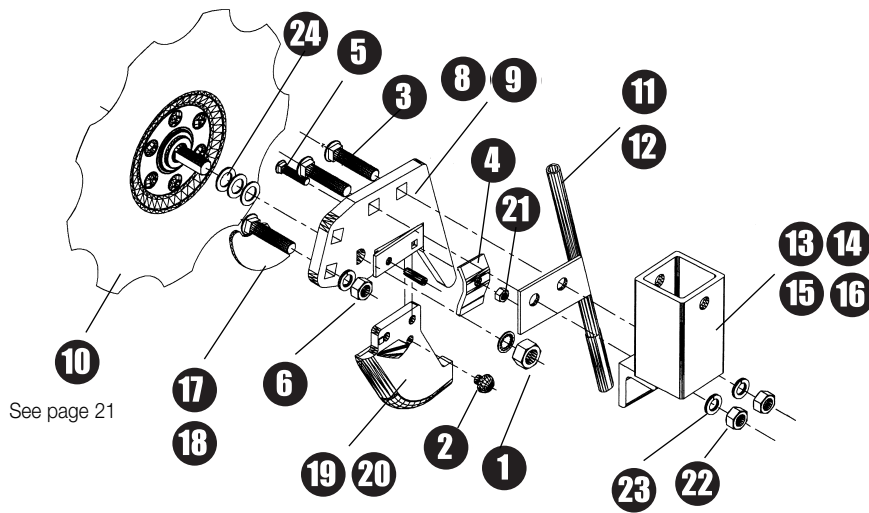


Acra-Place Replacement Parts

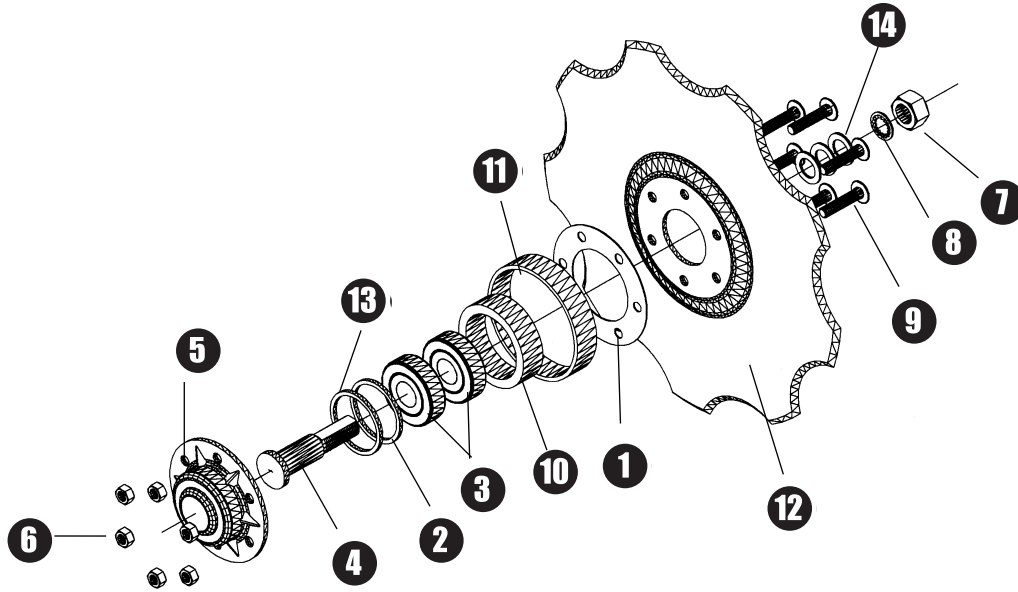


- AP-692002 – 2" Stand Alone Acra-Place® Left Hand**
- AP-692003 – 2" Stand Alone Acra-Place® Right Hand**
- AP-692004 – 1-1/2" Stand Alone Acra-Place® Left Hand**
- AP-692005 – 1-1/2" Stand Alone Acra-Place® Right Hand**

CURRENT

NOT CURRENT

Part #	Qty Req	Description	Retail \$
AP-510745	1	Nut, hex jam, G8, 5/8" NF ①	\$ 1.53
AP-500633	1	Washer, internal tooth, 5/8" ②	\$ 0.18
AP-501679	2	Mount bolt, carriage, 1/2" x 1-1/2" ③	\$ 1.66
AP-501745	1	Bar adjust ④	\$ 5.80
AP-510636	1	Bolt, carriage, 5/16" x 1.75" ⑤	\$ 0.40
AP-510693	1	Spring pin, 5/16" x 1.0" ⑥	\$ 0.34
AP-510825	1	Acra-Place insert bumper ⑦	\$ 4.37
AP-692007	1	Acra-Place insert mount, LH ⑧	\$37.73
AP-692008	1	Acra-Place insert mount, RH ⑨	\$37.73
AP-692011	1	Disc assembly, 12" x 9 notch Acra-Place ⑩	\$95.04
AP-692015	1	Acra-Place delivery tube, LH ⑪	\$22.80
AP-692016	1	Acra-Place delivery tube, RH ⑫	\$22.80
AP-692019	1	Acra-Place mount 2", LH ⑬	\$40.31
AP-692020	1	Acra-Place mount 2", RH ⑭	\$40.31
AP-692021	1	Acra-Place mount 1-1/2", LH ⑮	\$52.59
AP-692022	1	Acra-Place mount 1-1/2", RH ⑯	\$52.59
AP-692023	1	Acra-Place bearing deflector, LH ⑰	\$15.25
AP-692024	1	Acra-Place bearing deflector, RH ⑱	\$15.25
AP-API4L	1	'97 Acra-Place insert, LH ⑲	\$27.84
AP-API4R	2	'97 Acra-Place insert, RH ⑳	\$27.84
LN2	1	Nut, nylon lock, 5/16" ㉑	\$ 0.11
N4	3	Nut, hex, 1/2" plated ㉒	\$ 0.14
LW4	3	Washer, split lock 1/2" ㉓	\$ 0.09
SHIM	3	Shim, 1" OD x 5/8" ID x 1/16" thick ㉔	\$ 0.14



AP-692011 Acra-Place® Blade

Part #	Qty Req	Description	Retail \$
AP-299050	1	Bearing flange gasket ①	\$ 1.35
AP-299051	1	Bearing ring, 2"OD x .12" x .121" thick ②	\$ 5.45
AP-299054	2	Bearing, 3/4" ③	\$15.04
AP-299063	1	Bearing stud, 3/4" ④	\$17.56
AP-299164	1	Bearing flange, outer, closed end ⑤	\$ 5.06
AP-500582	6	Nut, top lock 5/16" NC ⑥	\$ 0.11
AP-510745	1	Nut, hex jam G8, 5/8" ⑦	\$ 1.53
AP-500633	1	Washer, internal tooth, 5/8" ⑧	\$ 0.18
AP-501087	6	Cap screw, button head, 5/16" x 1.5" ⑨	\$ 0.41
AP-691062	1	Acra-Place bearing spacer inner ⑩	\$ 6.93
AP-691063	1	Acra-Place bearing spacer outer ⑪	\$ 7.43
AP-692012	1	Disc blade, offset, 12" x 9 notch ⑫	\$18.35
AP-698051	1	Bearing ring, 2"OD x .12" x .171" thick black ⑬	\$ 5.30
SHIM	3	Shim, 1"OD x 5/8"ID x 1/16" thick ⑭	\$ 0.14

Acra-Place Cam Adjuster

(Right-Hand Depicted)

Part #	Qty Req	Description	Retail \$
AP-500600	1	1/2" diameter two way lock nut ①	\$ 1.31
AP-500620	1	Washer 1/2" ②	\$ 0.06
AP-510765	1	Spring .61D x 2.75" long ③	\$ 2.27
AP-510766	1	Split ring ④	\$ 1.32
AP-510824	1	Seal ⑤	\$ 1.16
AP-692013	1	Mounting bracket LH ⑥	\$67.75
AP-692014	1	Mounting bracket RH ⑦	\$67.75
AP-692017	1	Adjuster LH ⑧	\$27.57
AP-692018	1	Adjuster RH ⑨	\$27.57

