

Acra-Phoenix/Acra-Place Systems John Deere, Kinze, White & CaselH Planters

Standard Pin-Adjust System

When ordering the standard Pin-Adjust System, select appropriate mount bracket(s) and the desired planter enhancements. Optional Vari-Just System and replacement parts are available. Universal Rigid Mount is available, consult with the factory.

Pin-Adjust Systems

Part #	Description	Weight
AP-249749	Face Mount Pin-Adjust System (JD, Kinze & White)	14.00
AP-249740	CaselH Mount Pin-Adjust System (CaselH)	12.00

Note: Universal Rigid Mount available, consult with factory for ordering information.

Zone Manager

Kit #	Description	Weight
AP-JDFZMA	Face Mount Zone Manager (JD, Kinze & White)	82.00
AP-CAFZMA	CaselH Mount Zone Manager (CaselH)	82.00

Kit consists of:

AP-249749	1	Face Mount Pin-Adjust System or
AP-249740	1	CaselH Mount Pin-Adjust System
AP-244206	1	Universal attachment bracket
AP-241214L	1	Zone wheel assembly LH
AP-241214R	1	Zone wheel assembly RH
AP-244128L	1	Zone Manager scraper kit LH
AP-244128R	1	Zone Manager scraper kit RH
AP-501645	1	Zone Manager mount bracket LH
AP-501644	1	Zone Manager mount bracket RH

Note: Universal Rigid Mount available, consult with factory for ordering information.

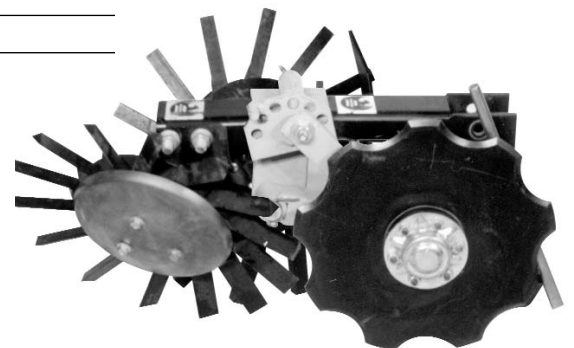
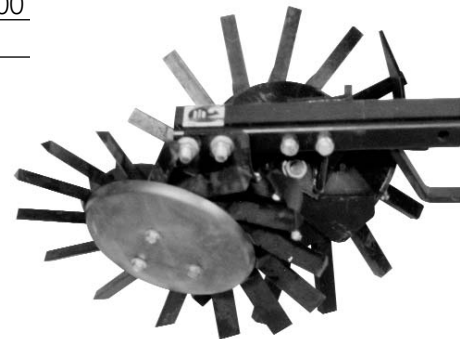
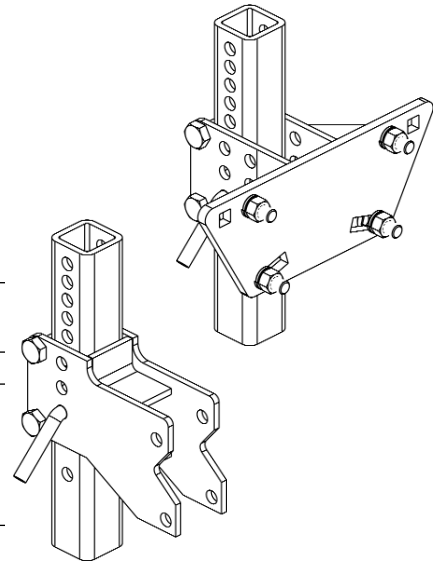
Zone Manager & Acra-Place

Kit #	Description
AP-JDFZMAPR	Face Mount Zone Manager & Acra-Place RH (JD, Kinze & White)
AP-JDFZMAPL	Face Mount Zone Manager & Acra-Place LH
AP-CAFZMPR	CaselH Mount Zone Manager & Acra-Place RH (CaselH)
AP-CAFZMPL	CaselH Mount Zone Manager & Acra-Place LH

Kit consists of:

AP-249749	1	Face Mount Pin-Adjust System or
AP-249740	1	CaselH Mount Pin-Adjust System
AP-244206	1	Universal attachment bracket
AP-241214L	1	Zone wheel assembly LH
AP-241214R	1	Zone wheel assembly RH
AP-244128L	1	Zone Manager scraper kit LH
AP-244128R	1	Zone Manager scraper kit RH
AP-501645	1	Zone Manager mount bracket LH
AP-501644	1	Zone Manager mount bracket RH
AP-692000	1	Acra-Place, RH or
AP-692001	1	Acra-Place, LH

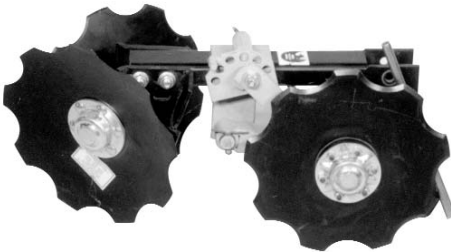
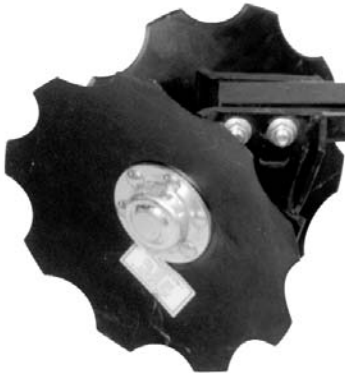
Note: When ordering Acra-Place units 1/2 of your ordered quantity should be for the right side kit and 1/2 for the left side kit. Universal Rigid Mount available, consult with factory for ordering information.



Acra-Phoenix/Acra-Place Systems

John Deere, Kinze, White & CaselH Planters

Acra-Phoenix/Acra-Place



Trash Whipper

Part #	Description	Weight
AP-JDFTWA	Face Mount Trash Whipper (JD, Kinze, White)	52.0
AP-CAFTWA	CaselH Mount Trash Whipper (CaselH)	52.0
Kit consists of:		
AP-249749	1 Face Mount Pin-Adjust System or	
AP-249740	1 CaselH Mount Pin-Adjust System	
AP-244206	1 Universal attachment bracket	
AP-201012*	1 or 2 12" notched disc double bearings	
AP-201013	1 13" notched disc double bearings	
AP-501697	1 Trash Whipper mount bracket LH or	
AP-501696	1 Trash Whipper mount bracket RH	

*CaselH planters use 2 of AP-201012.

Note: Universal Rigid Mount available, consult with factory for ordering information.

Trash Whipper & Acra-Place

Part #	Description
AP-JDFTWAPR	Face Mount Trash Whipper & Acra-Place RH (JD, Kinze, White)
AP-JDFTWAPL	Face Mount Trash Whipper & Acra-Place LH (JD, White, Kinze)
AP-CAFTWAPR	Face Mount Trash Whipper & Acra-Place RH (CaselH)
AP-CAFTWAPL	Face Mount Trash Whipper & Acra-Place LH (JD, Kinze, White)

Kit consists of:

AP-249749	1	Face Mount Pin-Adjust System or
AP-249740	1	CaselH Mount Pin-Adjust System
AP-244206	1	Universal attachment bracket
AP-241251	1	Trash Whipper wheel mounts
AP-201012*	1 or 2	12" notched disc double bearings – face mount
AP-201013	1	13" notched disc double bearings – face mount
AP-692000	1	Acra-Place, RH or
AP-692001	1	Acra-Place, LH
AP-501697	1	Trash Whipper mount bracket LH
AP-501696	1	Trash Whipper mount bracket RH

*CaselH planters use 2 of AP-201012.

Note: Universal Rigid Mount available, consult with factory for ordering information.