

Replacement Parts for the following retrofit Blade assemblies:

AP-001711 15" x 11-Notch for JD, White & Kinze

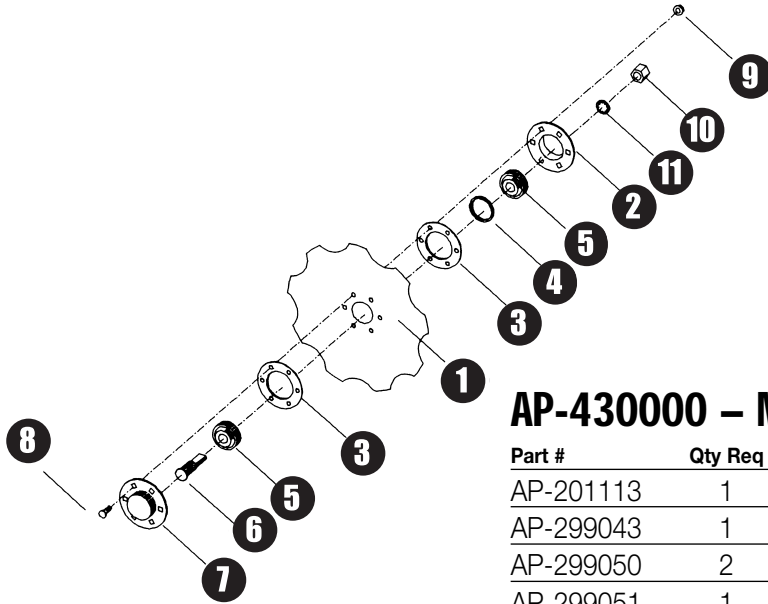
AP-001715 15" x 15-Notch for JD, White & Kinze

AP-009811 14" x 11-Notch for CaseIH & White 5000 Series

AP-009815 14" x 15-Notch for CaseIH & White 5000 Series

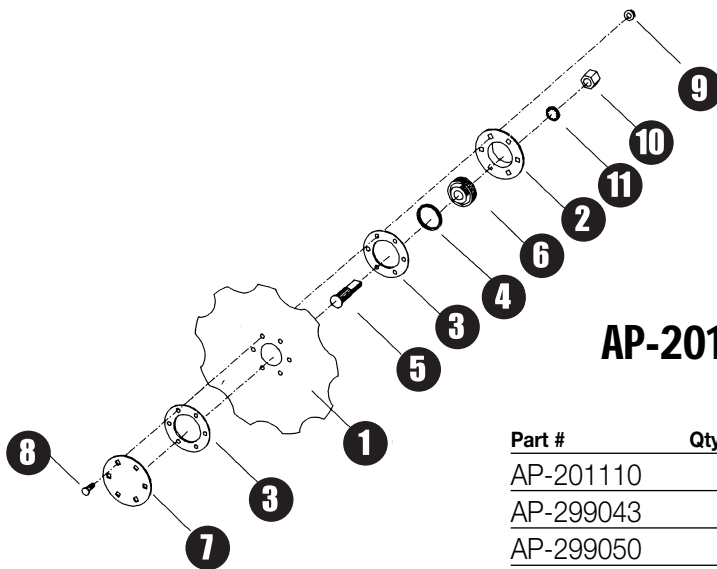
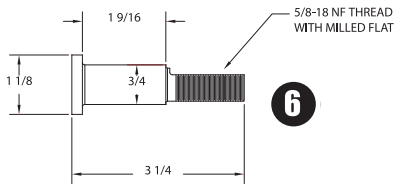
Part #	Qty Req	Description
AP-502001	1	15" x 11 notch disc JD, Kinze, White 1
AP-502004	1	15" x 15 notch disc JD, Kinze, White 2
AP-500240	1	14" x 11 notch disc CaseIH & White 5000 Series 3
AP-500241	1	14" x 15 notch disc CaseIH & White 5000 Series 4
AP-001744	1	Plastic hub cap 5
AP-299050	1	Gasket 6
AP-500448	6	5/16" x 5/8" button head cap screw 7
AP-500582	6	5/16"NC top lock nut 8
AP-299143	1	Bearing, flange inner (open end) flat 9
AP-299051	1	Bearing ring 2"OD x .12" x .12" 10
AP-502002	1	Bearing, 5/8" 11
SHIM	2	5/8" diameter 18ga shim (not shown)

Planter Enhancements — Replacement Parts



AP-430000 – Marker Disc

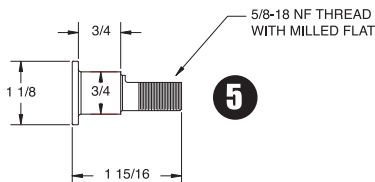
Part #	Qty Req	Description
AP-201113	1	13" notched blade only ①
AP-299043	1	Bearing flange open ②
AP-299050	2	Gasket ③
AP-299051	1	Retainer ring ④
AP-299054	2	Bearing Trash Whipper ⑤
AP-299063	1	Stud bolt 3/4" double ⑥
AP-299064	1	Bearing flange closed ⑦
AP-500155	1	Stud lock plate (not shown)
AP-500401	6	5/16" x 3/4" carriage bolt ⑧
AP-500582	6	5/16"NC top lock nut ⑨
AP-500606	1	5/8"NF nylon insert lock nut ⑩
AP-500633	1	5/8" diameter internal star washer ⑪

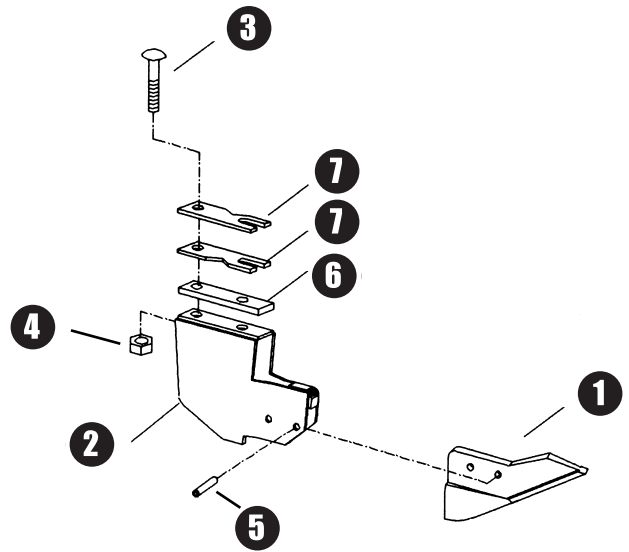


10-1/2" Single Bearing Trash Whippers
have been replaced by
12" & 13" Double Bearing Assemblies
All parts are available to service 10-1/2"
Single Bearing Units

AP-201010 – 10-1/2" Single Bearing Trash Whipper Blade

Part #	Qty Req	Description
AP-201110	1	10-1/2" notched blade only ①
AP-299043	1	TW disc bearing flange open ②
AP-299050	2	Gasket ③
AP-299051	1	Retainer ring ④
AP-299053	1	Stud bolt 3/4" single ⑤
AP-299054	1	Bearing trash whipper ⑥
AP-299065	1	Cover plate painted ⑦
AP-500448	6	5/16" x 3/4"NC button head ⑧
AP-500582	6	5/16"NC serrated flange nut ⑨
AP-510745	1	5/8"NF hex jam nut ⑩
AP-500633	1	5/8" diameter internal star washer ⑪





AP-034550 – V-Slice Opener

White 5100 & 5700

Part #	Qty Req	Description
AP-410602	1	V-51 slicing insert with pins ①
AP-034558	1	Weld, body ②
AP-500409	2	3/8"NC x 1-1/2" carriage bolt ③
LN3	2	3/8"NC nylock lock nut ④
SP1	2	1/4" x 3/4" MTB pin ⑤
AP-501212	1	Body spacer ⑥
AP-501213	2	Adjusting wedge ⑦

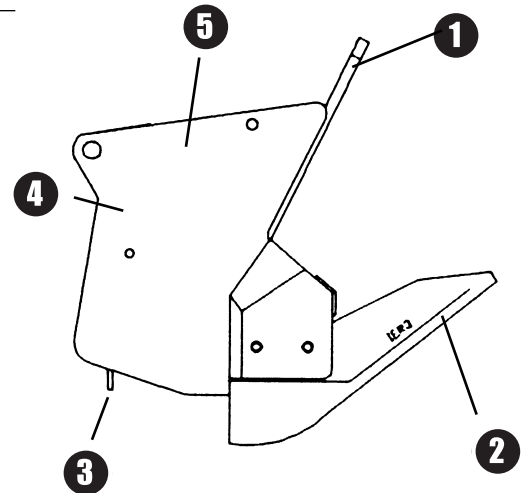
Note: for best results in Min-Till or No-Till conditions, use with AP-009811 and AP-009815. See page 26.

AP-009840 – V-98 V-Slice Attachment

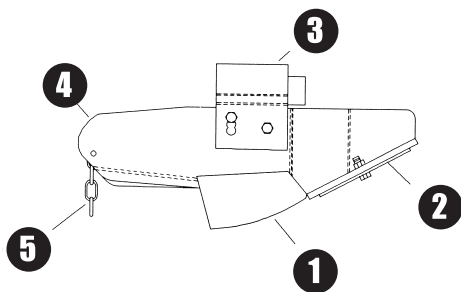
Case 800, 900 & 1200

Part #	Qty Req	Description
AP-009868	1	V-98 body weldment ①
AP-410601	1	IER3 V-slice insert with pins ②
AP-500668	3	Chain, 5 link ③
AP-510672	1	Spring pin, 3/16" x 1-3/8" ④
AP-500649	1	Spirol pin, 1/4" x 1-3/8" ⑤
AP-715523	1	Seed tube (not shown)

Note: for best results in Min-Till or No-Till conditions, use with AP-009811 and AP-009815. See page 26.



Planter Enhancements — Replacement Parts

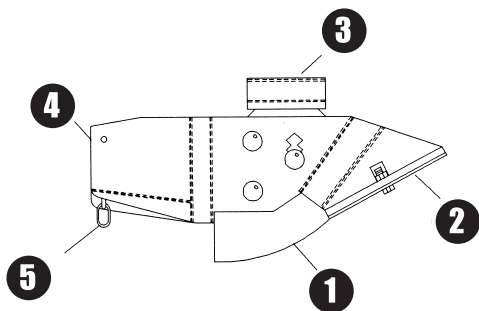


AP-009040 – V-Slice Opener

Case 400/500 Offset Disc

Part #	Qty Req	Description
AP-410100	1	Slicing stub with hardware ①
AP-009042	1	Replacement scraper 009040 ②
AP-009043	1	Adapter 009040 ③
AP-009068	1	Weld, V-9 body ④
AP-500411	1	3/8"NC x 2" carriage bolt
AP-500455	1	5/16"NC x 1" HHCS
AP-500541	1	3/8" x 2" hook bolt
AP-500574	1	5/16"NC full finish hex nut
AP-500581	1	3/8"NC top lock nut
AP-500590	2	3/8"NC top lock jam nut
AP-500612	1	1/4" diameter flat washer
AP-500638	1	5/8" diameter 14ga NR machine bushing
AP-510672	1	3/16" x 1-3/8" spring pin
AP-500668	3	Chain, 5 links long ⑤

Note: for best results in Min-Till or No-Till conditions, use with AP-009811 and AP-009815. See page 26.



AP-009150 – V-Slice Opener

Case 400/500 Straight Disc

Part #	Qty Req	Description
AP-410901	1	Insert V-Slice with hardware ①
AP-009145	1	7/16" x 4-1/2" special pin
AP-009152	1	Replacement scraper 009150 ②
AP-009153	1	Adapter 009150 ③
AP-009168	1	Weld, body V-91 ④
AP-500408	3	3/8" x 1" carriage bolt
AP-500450	1	1/4"NC x 1/2" HHCS
AP-500568	1	1/4"NC square nut
AP-500581	1	3/8"NC top lock nut
AP-500590	2	3/8"NC top lock jam nut
AP-500630	1	1/4" diameter internal star washer
AP-500638	1	5/8" diameter 14ga NR machine bushing
AP-510672	1	3/16" x 1-3/8" MTB spring pin
AP-500668	3	Chain, 5 links long ⑤

Note: for best results in Min-Till or No-Till conditions, use with AP-009811 and AP-009815. See page 26.