

AP-100040 – Tandem Blade Opener

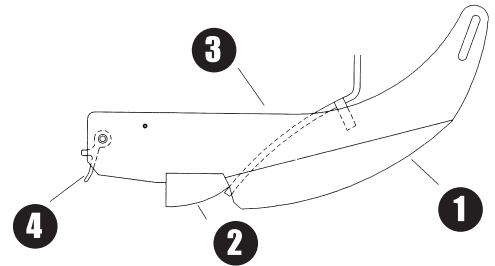
Designed for Models: John Deere 290, 490, 494, 494A, 1200, 1300, 495, 695, 895, 71, 71 Flex, 71B Flex, 24B, 25B, 23, B, C, F, R, 44, 51, 246, 247, 446, 447, 493

IH 400 Cyclo, 500 Cyclo, 295, 296, 386, 54, 56, 58, 66, 86, 186, 455, 186 Hilldrop, 296, 386 Hilldrop, 185Flex, 449A, 450

AC 52, 62, 70, 72, 102, 112

White 5400 Plantaire, Ford 352, 254

MF 37



Part #	Qty Req	Description
AP-410000	1	10-C slicing edge with hardware ①
AP-410100	1	Slicing stub with j bolt ②
AP-104068	1	Stainless steel body ③
AP-500541	1	3/8" x 2" hook bolt
AP-500547	1	3/8" x 2-1/4" square head bolt
AP-500581	2	3/8"NC top lock nut
AP-440000	1	Dirt guard for 100040 ④

Note: Most older planters will require adapter for first-time installation. Consult factory for availability. AP-298000 and AP-298001 lifters (not shown) available on request.

AP-959600 – Lister

Designed for Models: Buffalo Till

John Deere 60, 800 Series, 300 Series, 187, 6100

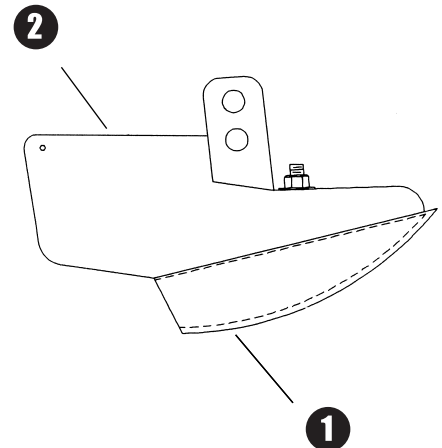
IH 80, 82, 109, 465, 87, 185

Dempster

IH Cyclo 92

Part #	Qty Req	Description
AP-954141	1	7C slicing edge with hardware ①
AP-500523	2	7/16" x 1-3/4" NC serrated flange bolt
AP-500541	1	3/8" x 2" hook bolt F. body
AP-500581	1	3/8"NC top lock nut
AP-500583	2	7/16"NC top lock nut
AP-959606	1	Lister body only ②
AP-957273	2	Lister Adapter

Note: Most older planters will require adapter for first-time installation. Consult factory for availability.



AP-957273

